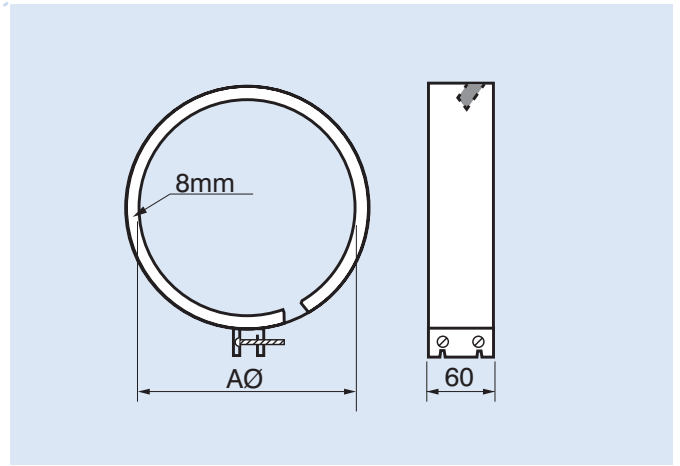


FC - FAST CLAMPS



FEATURES

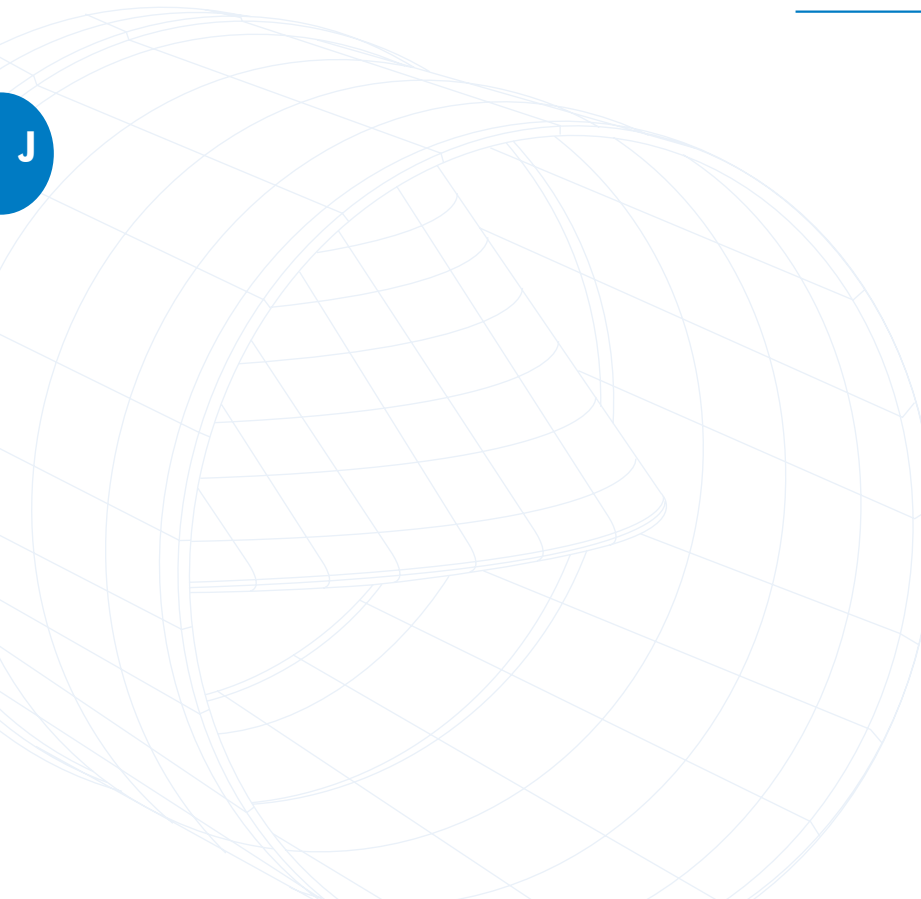
Fast clamps are a very simple and effective means of connecting ductwork to fans with spigot connections. They also make access for service and cleaning very easy and should be securely fastened with two bolts.

Manufactured from 60mm wide galvanised steel with an insulated neoprene pad glued to the inside surface. This pad works extremely well both as a vibration absorber and as a noise suppressor.

Normally two fast clamps are required per fan.

DIMENSIONS

Fast Clamp Part No.	Dimensions, mm AØ
FC10	100
FC12	125
FC15	150
FC16	160
FC20	200
FC21	210
FC25	250
FC26	260
FC31	312
FC36	360
FC40	400



J